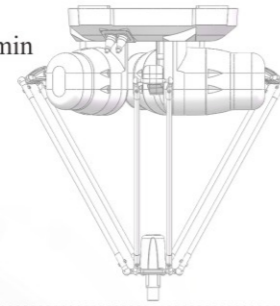


# PRECISION PLANETARY GEARBOX



## THA/THG Series

- Frame Size: 090-110mm
- Ratio: 4/5/7/10, 15-100
- Minimum Backlash:  $\leq 1$  arcmin



TDP Series



## TDP Series

- Integrated Gearbox and Pinion
- High Rigidity
- High Reliability
- High Precision

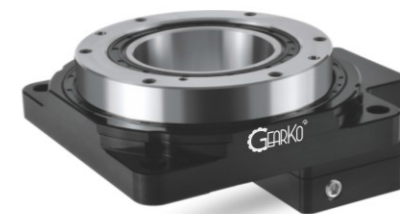


## TDM Series

- Integrated Gearbox and Motor
- More Compact
- Quick Installation
- Customized on Project Specific



TMN Series



## TMN Series

- Frame Size: 60-280mm
- Ratio: 5/10/18 (Up to 1:500 if with a gearbox)
- Minimum Backlash:  
One Stage:  $\leq 1$  arcmin  
Two Stage:  $\leq 3$  arcmin



TST Series



## TST Series

- Frame Size: 75-240mm
- Ratio: 1/2/5 (Up to 1:500 if with a gearbox)
- Minimum Backlash:  $\leq 1$  arcmin

# RACK & PINION SERIES



RACK & PINION Series



- Din 5 to Din 10
- Milled and Ground
- Straight and Helical Teeth
- Quenched and Hardened



- High Precision
- Carbon Steel and High Strength Alloy
- Full Range of Grade
- Short Lead Time
- Cost Efficient



www.gearkoreducer.com

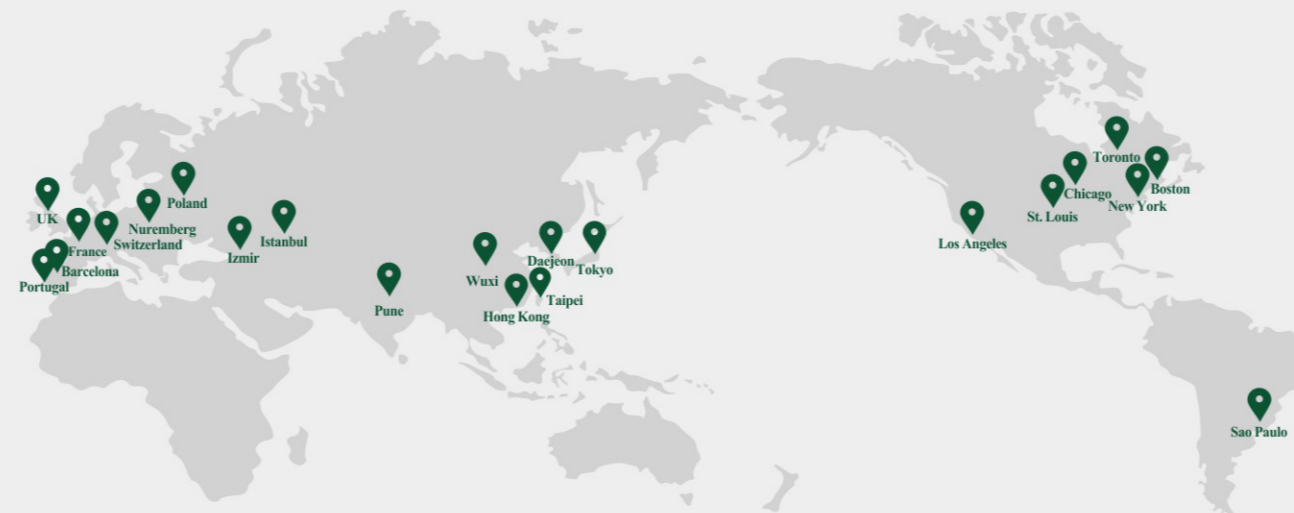
# PASSION FOR PRECISION TRANSMISSION

- High Precision
- High Rigidity
- High Efficiency
- Low Noise
- Long Life
- Quick Delivery

Distributore autorizzato per l'Italia



RTI - Rappresentanze Tecnologie Impianti S.r.l.  
Via Chambery, 93/107V  
10142 Torino  
Tel: +39 011 - 700 053  
Web: [www.rti-to.it](http://www.rti-to.it)  
e-mail: [info@rti-to.it](mailto:info@rti-to.it)





# PRECISION PLANETARY GEARBOX

## LIST OF GEARKO PLANETARY GEARBOX

Shaft Output	Square Mounting Flange	Standard	Inline	TCB
			Right-Angle	TCBR
		Robust	Inline	TB
	Round Mounting Flange		Right-Angle	TBR
		Enhanced	Inline	TF
			Right-Angle	TFR
Flange Output	Inline	Standard	Inline	TCE
		Robust	Inline	TE
			Right-Angle	TER
	Right-Angle	No Pinion		TD
		Integrated Pinion		TDP
		Enhanced	For Delta Robot	THA/THG
			TDR	

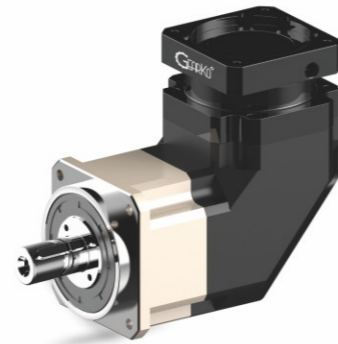


### TB Series

- Frame Size: 42-220mm, 285mm, 355mm
- Ratio: 3/4/5/6/7/8/10, 15-100
- Minimum Backlash:  
One Stage:  $\leq 1$  arcmin  
Two Stage:  $\leq 3$  arcmin



TB Series



### TBR Series

- Frame Size: 42-220mm, 285mm, 355mm
- Ratio: 3/4/5/6/7/8/10/12/14/16/20, 25-200
- Minimum Backlash:  
One Stage:  $\leq 2$  arcmin  
Two Stage:  $\leq 4$  arcmin



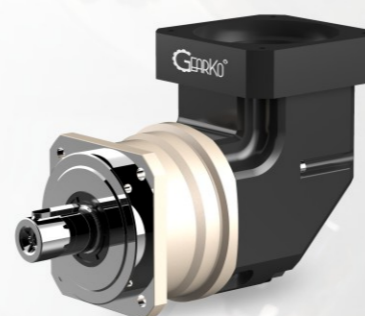
### TF Series

- Frame Size: 60-180mm
- Ratio: 3/4/5/6/7/8/10, 15-100
- Minimum Backlash :  
One Stage:  $\leq 1$  arcmin  
Two Stage:  $\leq 3$  arcmin



### TFR Series

- Frame Size: 60-180mm
- Ratio: 3/4/5/6/7/8/10/12/14/16/20, 25-200
- Minimum Backlash:  
One Stage:  $\leq 2$  arcmin  
Two Stage:  $\leq 4$  arcmin



### TCBR Series

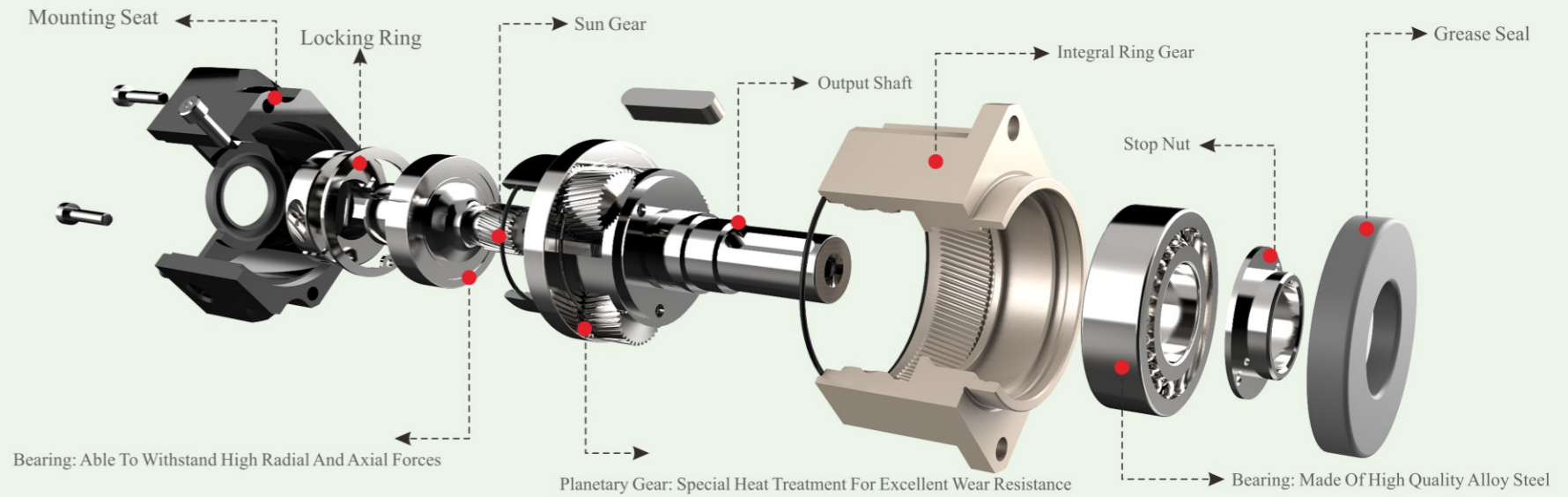
- Frame Size: 42-180mm
- Ratio: 3/4/5/6/7/8/10/12/14/16/20, 25-200
- Minimum Backlash:  
One Stage:  $\leq 2$  arcmin  
Two Stage:  $\leq 4$  arcmin



TC Series



TF Series



### TE Series

- Frame Size: 50-235mm
- Ratio: 3/4/5/6/7/8/10, 15-100
- Minimum Backlash:  
One Stage:  $\leq 1$  arcmin  
Two Stage:  $\leq 3$  arcmin

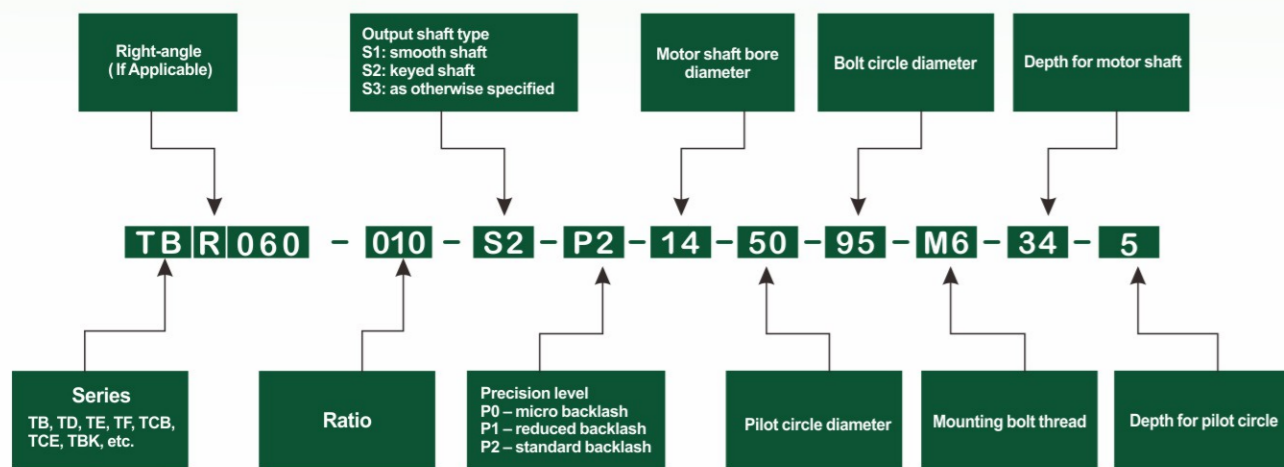


### TER Series

- Frame Size: 50-235mm
- Ratio: 3/4/5/6/7/8/10/14/20, 25-200
- Minimum Backlash:  
One Stage:  $\leq 2$  arcmin  
Two Stage:  $\leq 4$  arcmin



TE Series

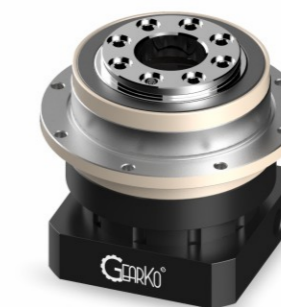


### TCB/TCE Series

- Frame Size: 42-180mm(TCB)  
70-155mm(TCE)
- Ratio: 3/4/5/6/7/8/10, 15-100
- Minimum Backlash:  
One Stage:  $\leq 1$  arcmin  
Two Stage:  $\leq 3$  arcmin



TC Series



### TD Series

- Frame Size: 47-255mm, 355mm
- Ratio: 4/5/7/10, 20-100
- Minimum Backlash:  
One Stage:  $\leq 1$  arcmin  
Two Stage:  $\leq 3$  arcmin



### TDR Series

- Frame Size: 47-255mm, 355mm
- Ratio: 4/5/7/10/14/20, 25-200
- Minimum Backlash:  
One Stage:  $\leq 2$  arcmin  
Two Stage:  $\leq 4$  arcmin



TD Series